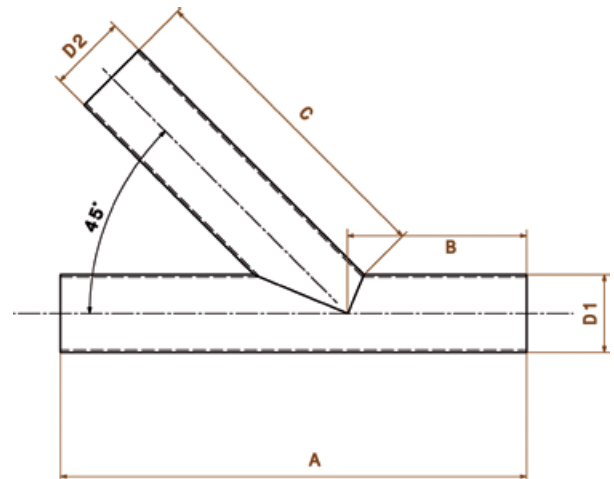


# Stainless steel branch pipes 45°

## laser-cut and welded

■ material no. **AISI 304 / 304L**  
at request also in aluminium

- forming gas welded – price at request
- custom-made products possible at short notice



diameter	article number	A	B	C
38.0 x 1.5 mm	803814501	300 mm	103 mm	206 mm
40.0 x 1.5 mm	804014501	300 mm	115 mm	207 mm
40.0 x 2.0 mm	804014502	300 mm	115 mm	207 mm
45.0 x 1.5 mm	804514501	300 mm	101 mm	205 mm
50.0 x 1.5 mm	805014501	300 mm	95 mm	205 mm
50.0 x 2.0 mm	805014502	300 mm	95 mm	185 mm
54.0 x 2.0 mm	805414501	300 mm	95 mm	208.8 mm
60.3 x 2.0 mm	806014501	350 mm	100 mm	210 mm
60.3 x 1.6 mm	806014506	350 mm	100 mm	210 mm
63.5 x 2.0 mm	806314501	350 mm	145 mm	220 mm
65.0 x 2.0 mm	806514501	350 mm	145 mm	220 mm
65.0 x 1.5 mm	806514502	350 mm	145 mm	220 mm
70.0 x 2.0 mm	807014501	400 mm	105 mm	285 mm
76.1 x 2.0 mm	807614501	410 mm	140 mm	260 mm
80.0 x 1.5 mm	808014504	400 mm	140 mm	240 mm
80.0 x 2.0 mm	808014501	400 mm	140 mm	240 mm
84.0 x 2.0 mm	808414501	370 mm	75 mm	240 mm
85.0 x 2.0 mm	808514501	520 mm	200 mm	283 mm
88.9 x 2.0 mm	808814501	420 mm	130 mm	282 mm
100.0 x 1.5 mm	810014501	450 mm	150 mm	300 mm
101.6 x 2.0 mm	810114501	450 mm	150 mm	300 mm
104.0 x 2.0 mm	810414501	500 mm	170 mm	300 mm
114.3 x 2.0 mm	811414501	550 mm	200 mm	325 mm
129.0 x 2.0 mm	812914501	600 mm	223 mm	325 mm
139.7 x 2.0 mm	813914501	550 mm	150 mm	350 mm
154.0 x 2.0 mm	815414501	650 mm	250 mm	380 mm